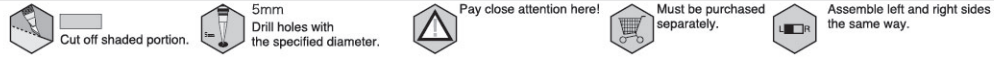


killerbody™

Exhaust Pipe (Can be installed with LED) Fit for 1/10 RC Car NO.48281/48282/48283/48284

● Symbols used throughout the instruction manual, comprise:

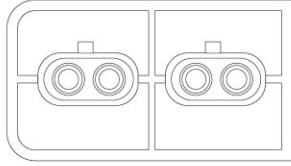


NO.48281

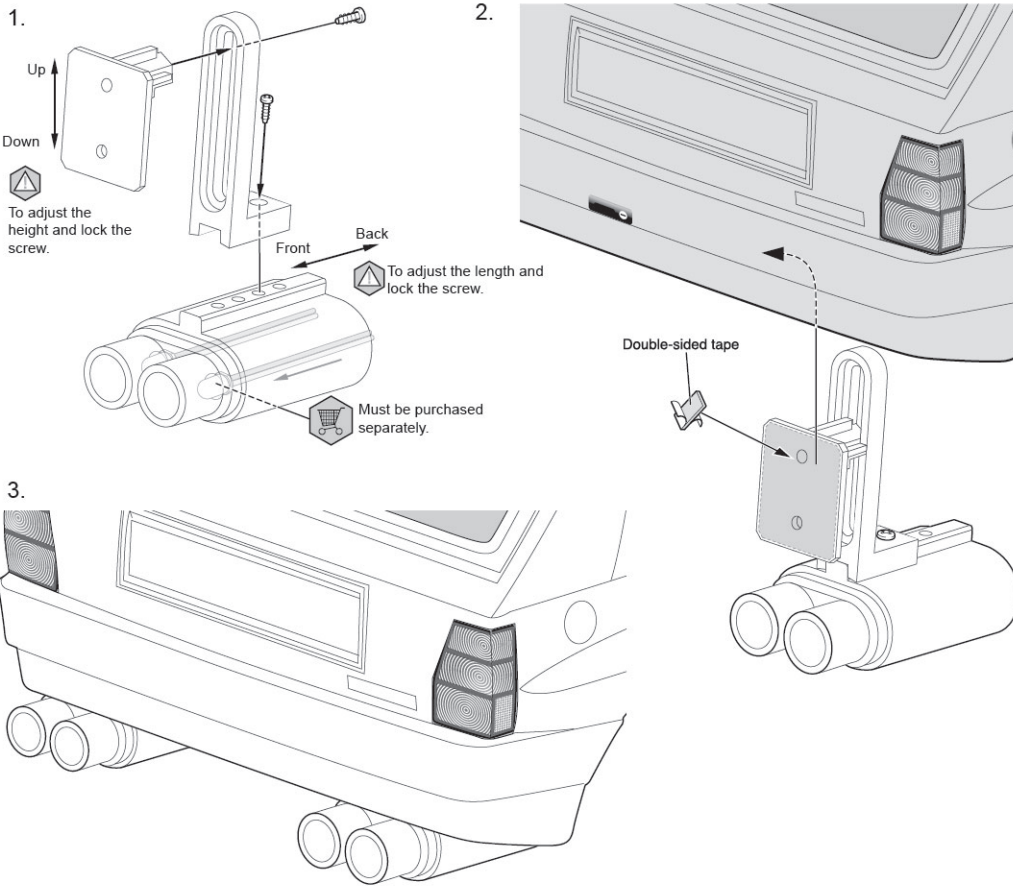
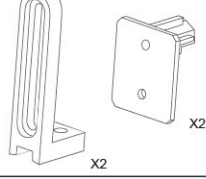
PARTS

DOUBLE-SIDED TAPE ----- X1
ALUMINUM TAPE ----- X1
TAPPING SCREW ----- X4

ELECTROPLATED PARTS



PLASTIC PARTS

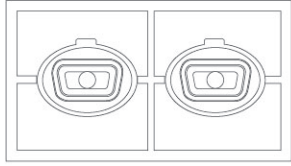


NO.48283

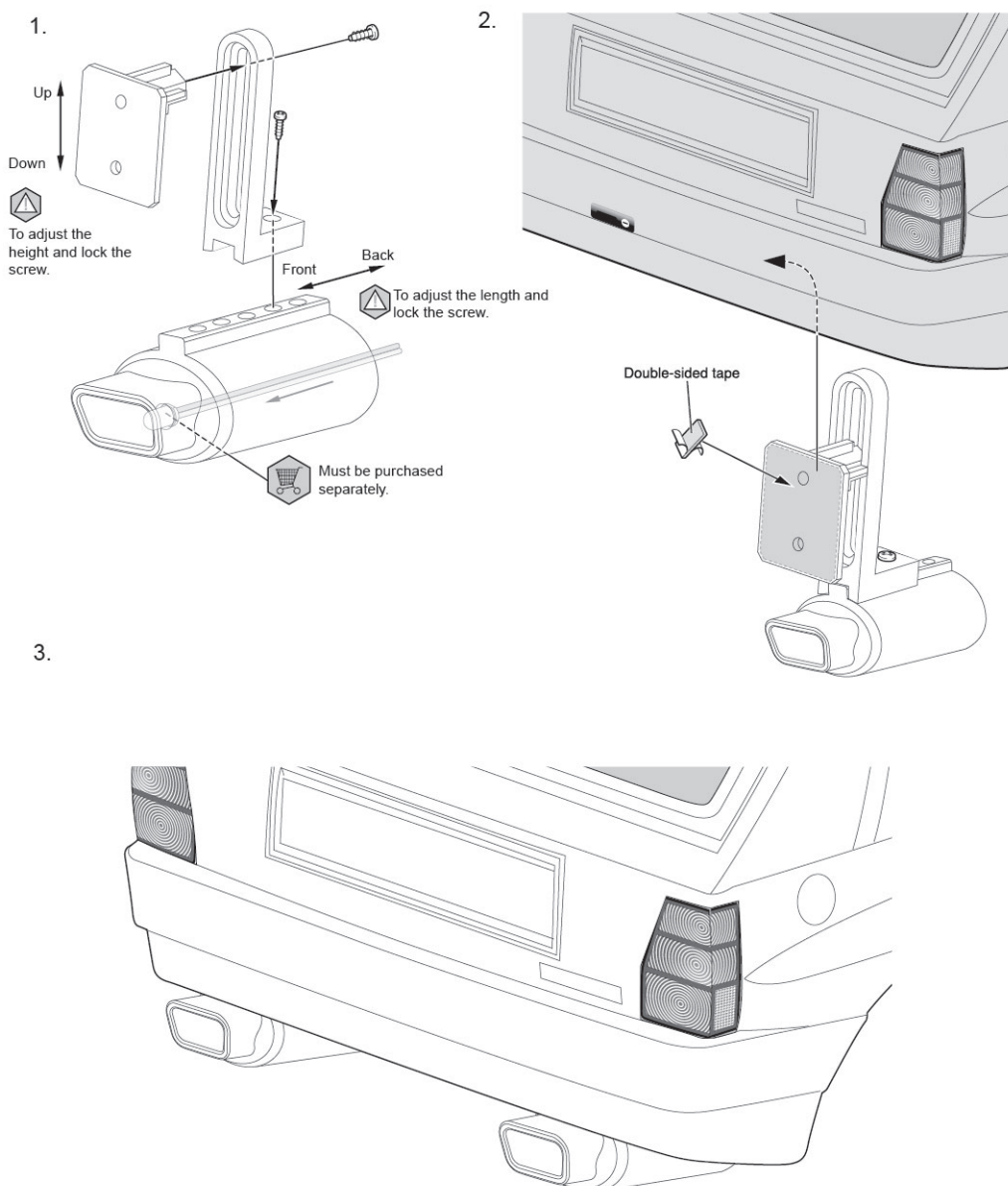
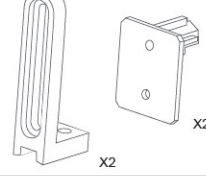
PARTS

DOUBLE-SIDED TAPE ----- X1
ALUMINUM TAPE ----- X1
TAPPING SCREW ----- X4

ELECTROPLATED PARTS



PLASTIC PARTS

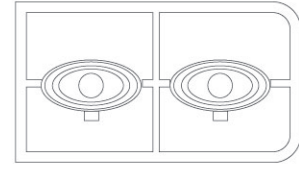


NO.48282

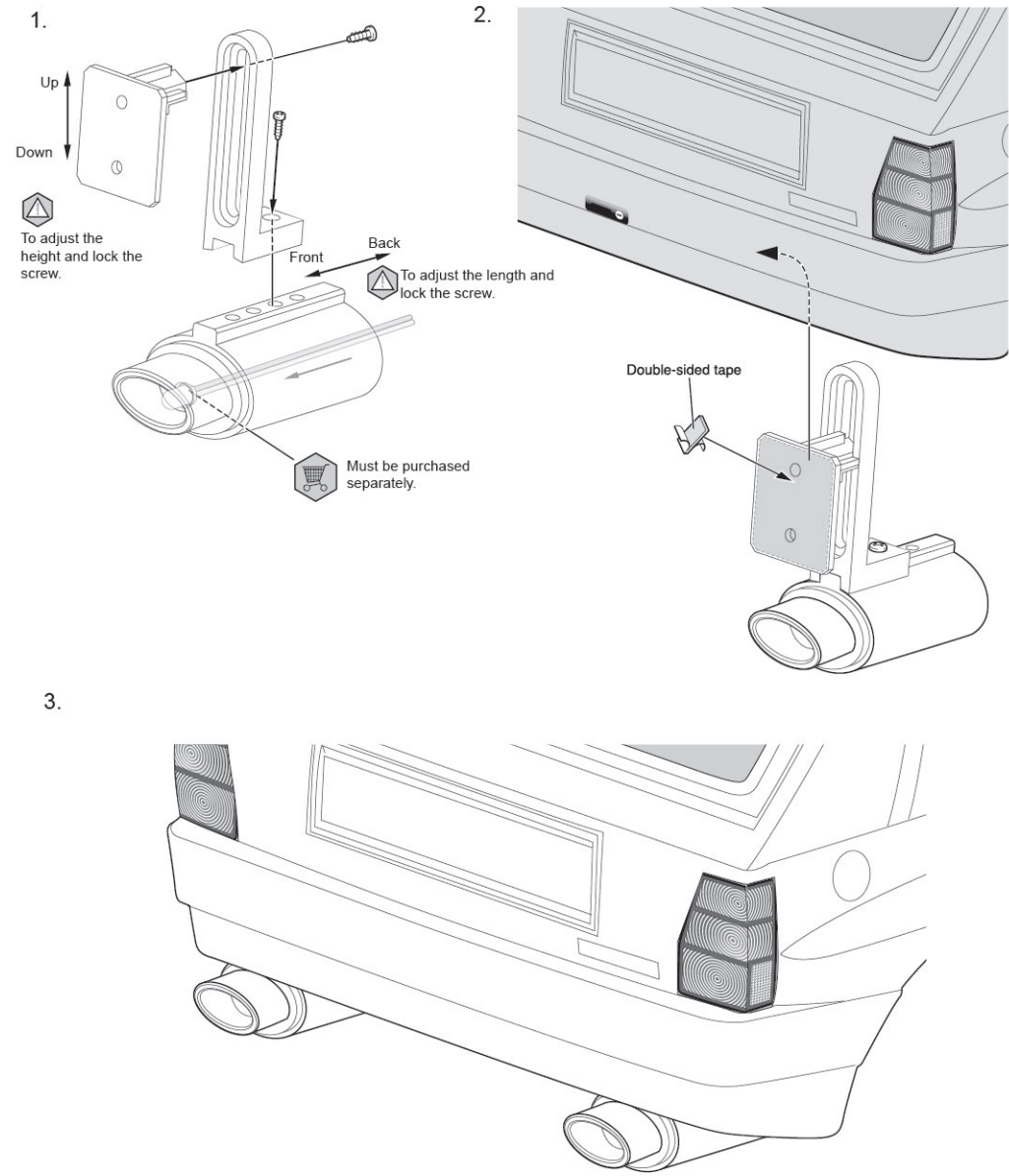
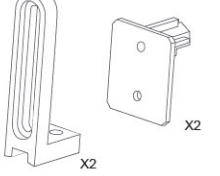
PARTS

DOUBLE-SIDED TAPE ----- X1
ALUMINUM TAPE ----- X1
TAPPING SCREW ----- X4

ELECTROPLATED PARTS



PLASTIC PARTS

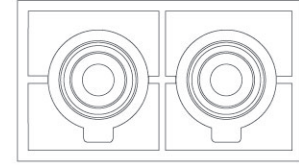


NO.48284

PARTS

DOUBLE-SIDED TAPE ----- X1
ALUMINUM TAPE ----- X1
TAPPING SCREW ----- X4

ELECTROPLATED PARTS



PLASTIC PARTS

